

IEC Appliance Connector C14 with Fuseholder 1-/2-pole, 70°C, fits to Felcom

Plug removal necessary for fuse replacement



Appliance inlet with fuseholder



Description

- Component: Snap-In Version from front side
- 2 Functions: Inlet Protection class I, Fuseholder for fuse-links 5 x 20 mm 1- or 2-pole
- For PCB mounting, fits to Felcom

Approvals

- CSA License Number: 38456

Characteristics

- Individual components soldered on a printed circuit board
- Plug removal necessary for fuse-link replacement
- Fuse drawer meets requirements of medical standard IEC/EN 60601-1
- The fuseholder is accessible from the equipment front
- Qualified for use in equipment according IEC/EN 60950

Weblinks

[Approvals](#), [RoHS](#), [CHINA-RoHS](#), [e-Store](#), [SCHURTER-Stock-Check](#), [Distributor-Stock-Check](#)

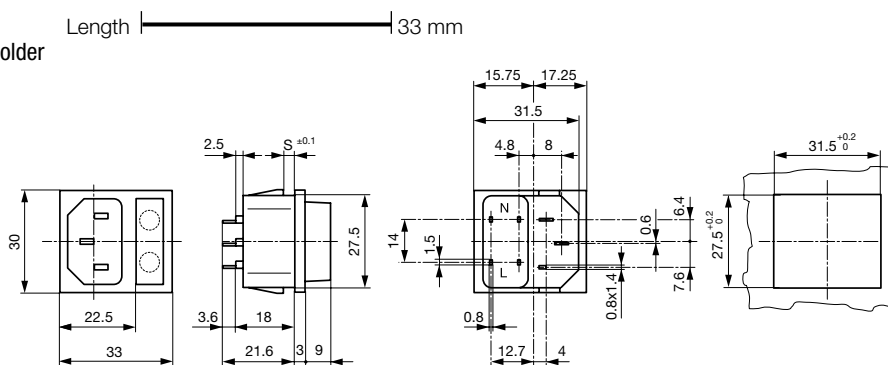
Technical Data

Ratings IEC	10A / 250VAC; 50Hz
Ratings UL/CSA	10A / 250VAC; 60Hz
Allowable Operation Temp.	-25°C to 70°C
Degree of Protection	from front side IP 40 acc. to IEC 60529
Protection Class	Suitable for appliances with protection class I acc. to IEC 61140
Terminal	For PCB mounting
Panel Thickness s	Snap-in: 1/1.2/1.5/2/2.5/3 mm
Material: Housing	Thermoplastic, black, UL 94V-0

Appliance-Inlet/-Outlet	C14 acc. to IEC/EN 60320-1, UL 498, CSA C22.2 no. 42 (for cold conditions) pin-temperature 70 °C, 10A, Protection class I
Fuseholder	1 or 2 pole, Shocksafe category PC2 acc. to IEC 60127-6, for fuse-links 5 x 20 mm
Rated Power Acceptance @ Ta 23 °C	5 x 20: 2W (1 pole)/ 1.6W (2-pole) per pole
Power Acceptance @ Ta > 23°C	Admissible power acceptance at higher ambient temperature see derating curves

Dimensions

Appliance inlet with fuseholder



[Distributor-Stock-Check](#) | [SCHURTER-Stock-Check](#) | [e-Store](#)

Variants[Distributor-Stock-Check](#) | [SCHURTER-Stock-Check](#) | [e-Store](#)

Type	Panel Thickness s [mm]	Line Switch	Fuseholder	Appliance-inlet	Appliance outlet	Order Number
Fuseholder	1	-	1 pole	C14	-	6250.5510
Fuseholder	1	-	2-pole	C14	-	6255.5510
Fuseholder	1.2	-	1 pole	C14	-	6250.5512
Fuseholder	1.2	-	2-pole	C14	-	6255.5512
Fuseholder	1.5	-	1 pole	C14	-	6250.5515
Fuseholder	1.5	-	2-pole	C14	-	6255.5515
Fuseholder	2	-	1 pole	C14	-	6250.5520
Fuseholder	2	-	2-pole	C14	-	6255.5520
Fuseholder	2.5	-	1 pole	C14	-	6250.5525
Fuseholder	2.5	-	2-pole	C14	-	6255.5525
Fuseholder	3	-	1 pole	C14	-	6250.5530
Fuseholder	3	-	2-pole	C14	-	6255.5530

Packaging unit 50 Pcs